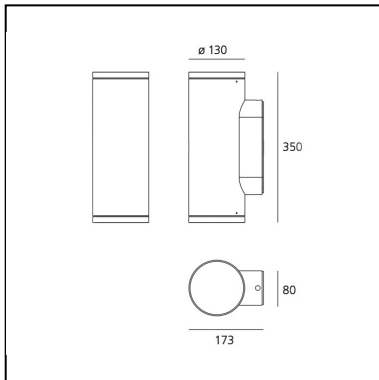


Calumet 13 wall 2x6° 3000K

Ernesto Gismondi



IP65 



LUMINAIRE

- Watt: **15W**
- Voltage: **220V-240V**
- Delivered lumens output: **732lm**
- CCT: **3000K**
- Efficiency: **72%**
- Efficacy: **48.8lm/W**
- CRI: **80**

DESCRIPTION

Lighting system with single or double emission, with high-performance LED light sources combined with lenses which optimize the light emitting efficiency of the beams and determine their spread. Available in two sizes: $\varnothing 8$ e $\varnothing 13$ cm. Ceiling and wall installation. Available in two finishes: light grey and painted anthracite grey painted.

PRODUCT CODE: T41952NW00

FEATURES

- Article Code: **T41952NW00**
- Colour: **white/grey**
- Installation: **Wall**
- Material: **Aluminum, tempered glass, methacrylate**
- Series: **Architectural Outdoor**
- design by: **Ernesto Gismondi**

DIMENSIONS

- Length: **cm 17.3**
- Width: **cm 8**
- Height: **cm 35**
- Diameter: **cm 13**
- Impact Resistance: **09**

SOURCES INCLUDED

- Category: **Led**
- Number: **4**
- Watt: **4W**
- Delivered lumens output: **184lm**
- Color temperature (K): **3000K**
- CRI: **80 typ**